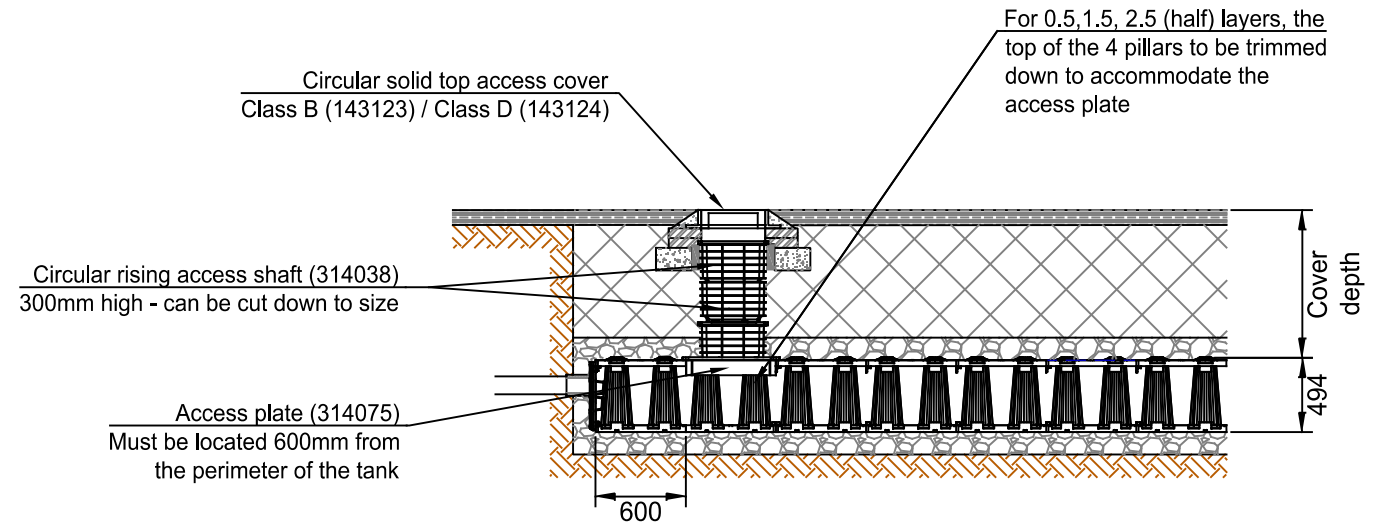
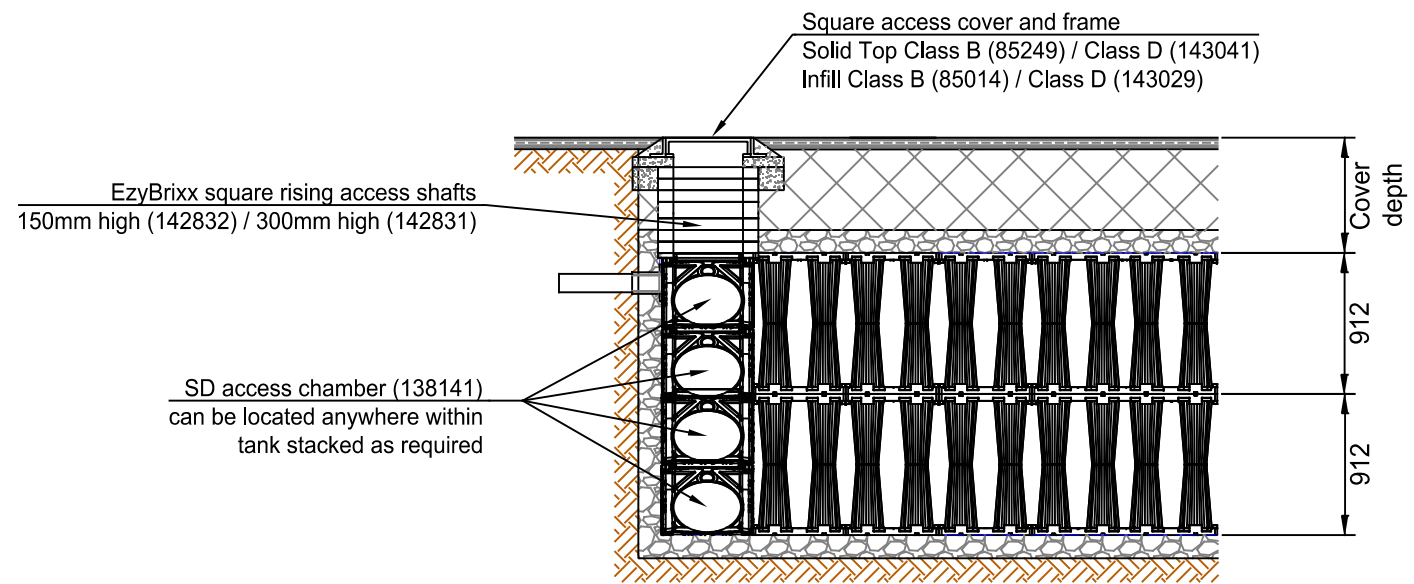


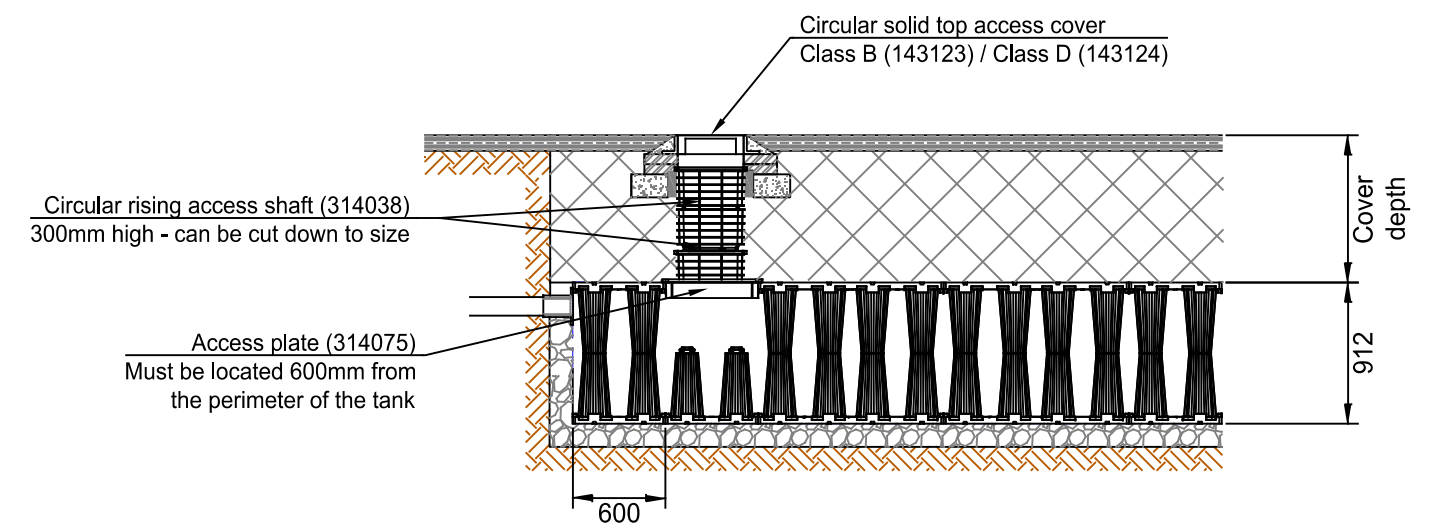
SD Access Chambers with Circular Shaft



Access Plate with Circular Shaft





SD Access Chambers with Square Shaft



Access Plate with Circular Shaft

Typical cover depths ⁽¹⁾ over the top of ACO StormBrixx SD	
Location	Typical cover depth (m) ⁽⁴⁾
Non-Trafficked areas ⁽²⁾ i.e landscaping	0.5 ⁽⁴⁾
Car parks, vehicles up to 2500kg gross mass	0.6 ⁽⁴⁾
Car parks, occasional vehicles greater than 2500kg ⁽³⁾ mass	Please consult ACO ⁽⁴⁾
Occasional HGV traffic up to 44000kg GVW (HA loading)	Please consult ACO ⁽⁴⁾

- (1) Assumed 27° load distribution angle through fill material and overlaying surface asphalt or block paving
- (2) Typical cover depth to avoid accidental damage from gardening/landscaping work
- (3) Occasional trafficking by refuse collection or similar vehicles (typically one per week)
- (4) Typical cover depth is a guide, for shallower cover depth, please consult ACO or assess with ACO's online Structural Calculator.

Version	Date	Description	Name
		Drawing Number: STX-SD-ACCESS	Revision:
 ACO Pty Ltd Head Office 134 - 140 Old Bathurst Road Emu Plains NSW 2750 Australia Tel: +61 2 4747 4000 www.acoaus.com.au sales@acoaus.com.au		ACO StormBrixx SD Typical Access Detail Installation Detail Drawing	
Created by: K.S	Released by: D.C	Projection: ISO-A 	Units: mm
Created at: Feb 2025	Released at: Feb 2025		Format: A3
Replacement for: -	Replaced by: -	Information contained in this drawing is copyright property of ACO Pty Ltd. Any reproduction in part or whole without written permission of ACO Pty Ltd is prohibited	
			Scale: 1 : 5
			Sheet: 1 of 1